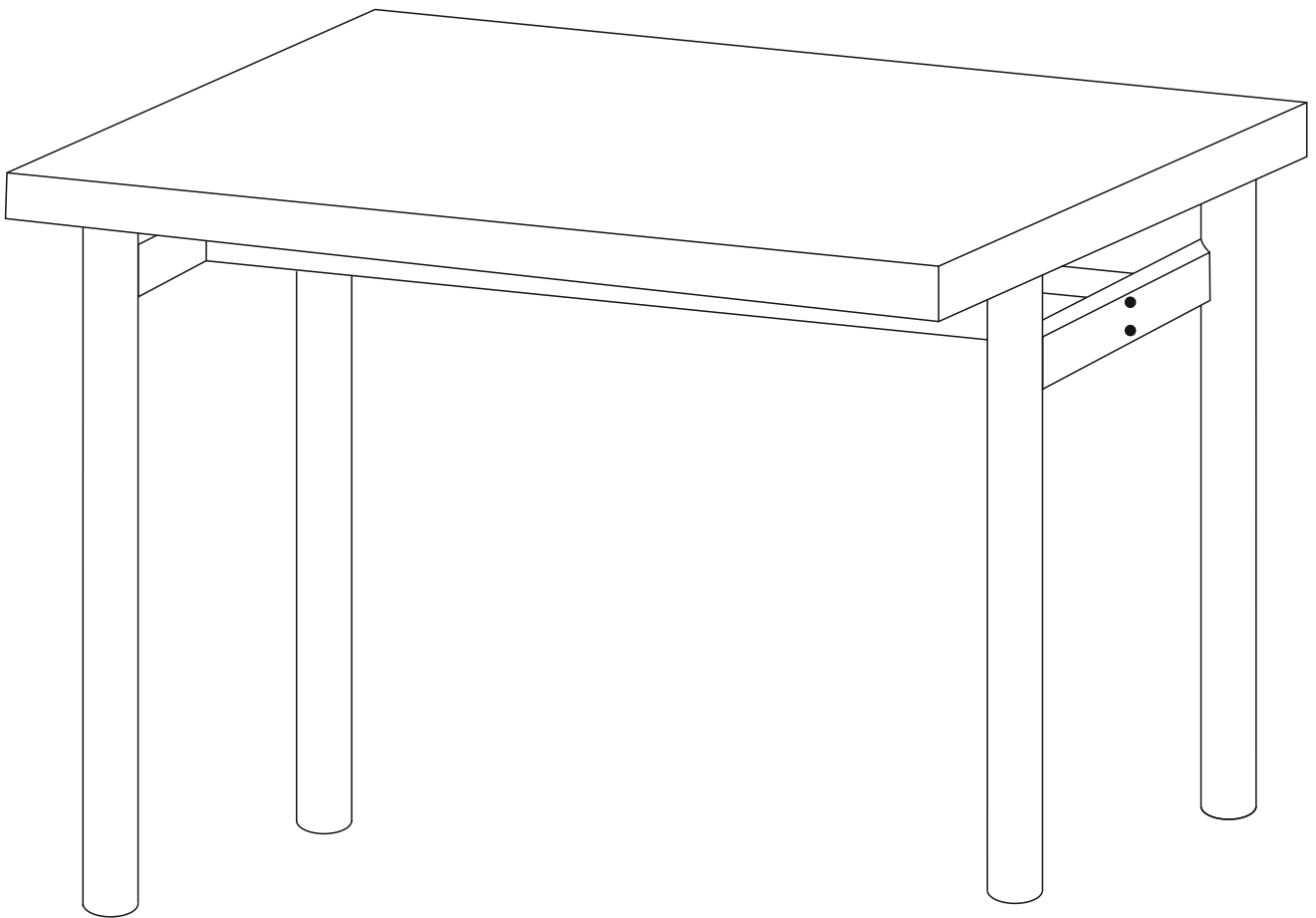


Assembly instruction



PACE TABLE

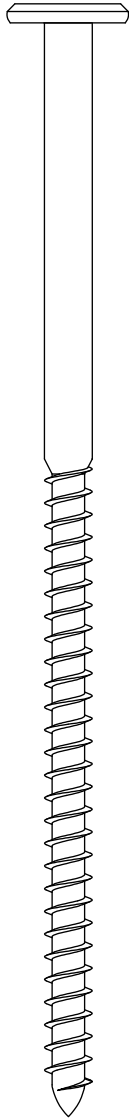


karup

DESIGN

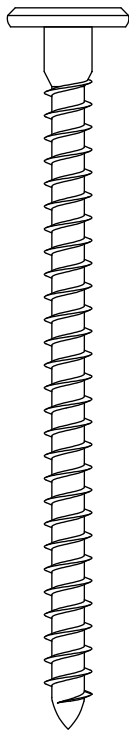
FITTINGS

1 x **A**



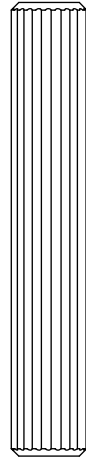
Ø 6,5 x 120mm

4 x **B**



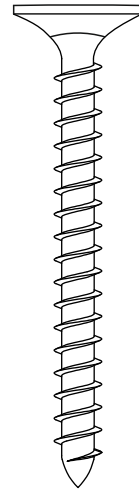
Ø 6,5 x 60mm

2 x **C**



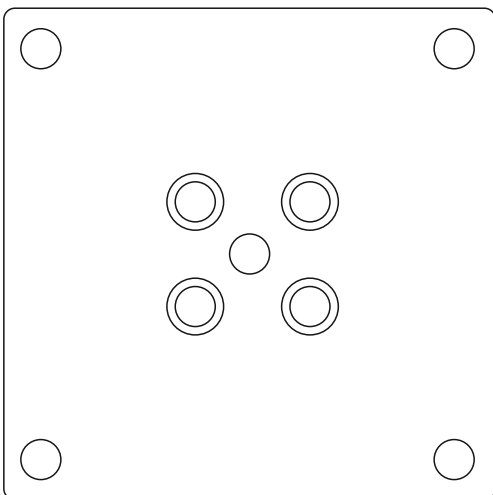
Ø 8 x 40mm

32 x **D**



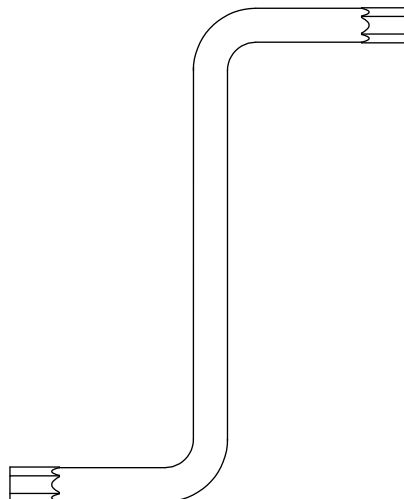
Ø 3,5 x 25mm

4 x **E**



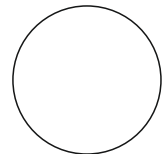
90 x 90mm

1 x **F**

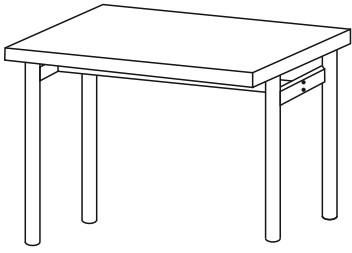


4mm

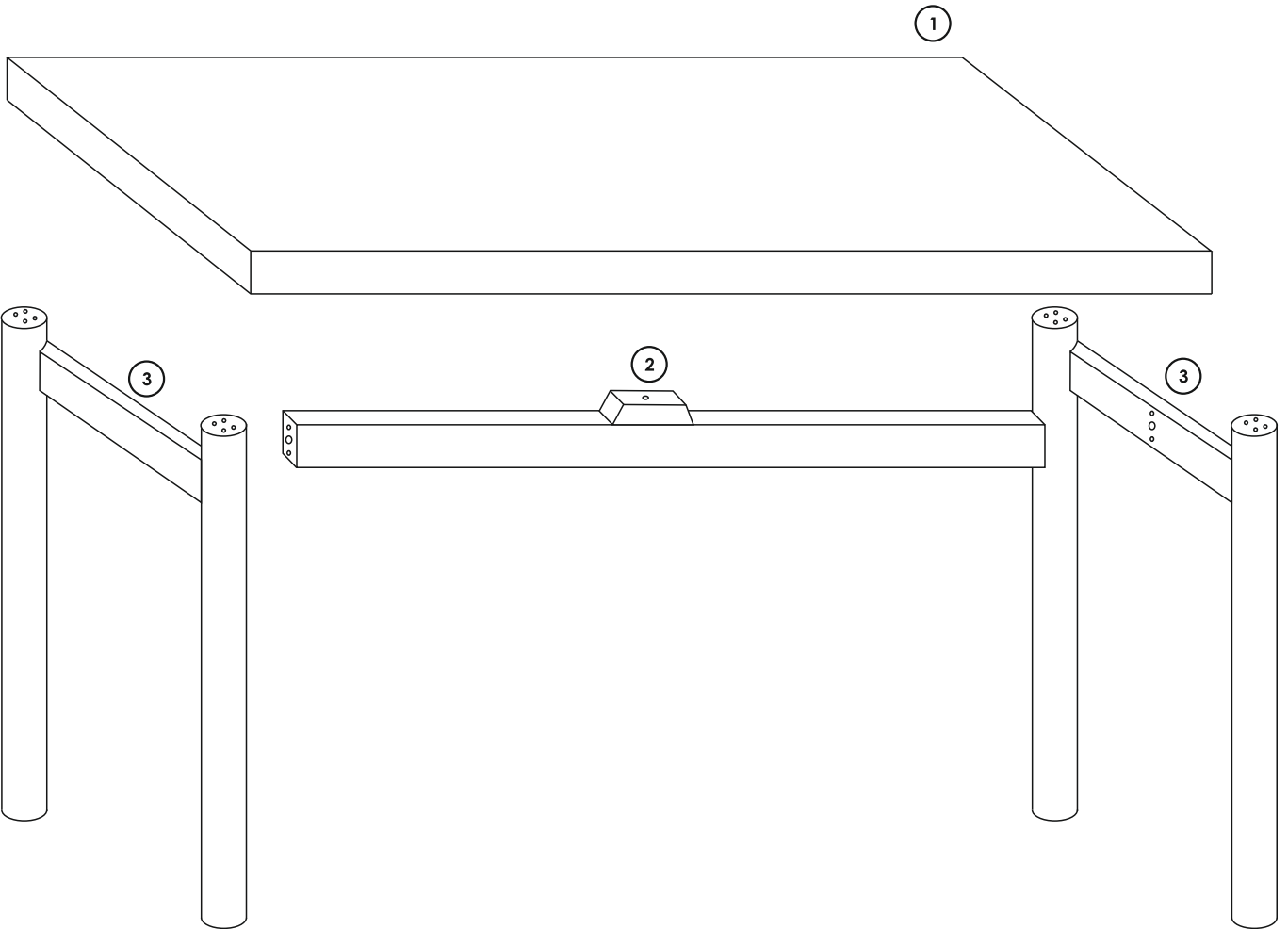
4 x **G**

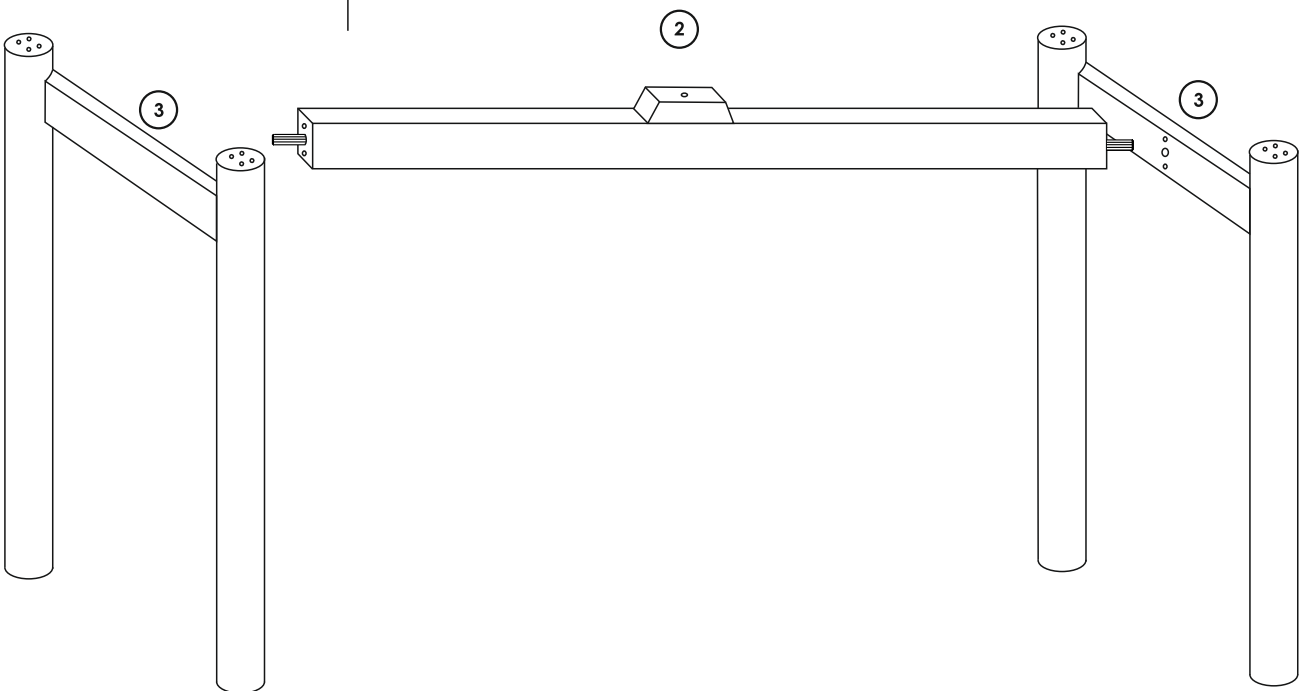
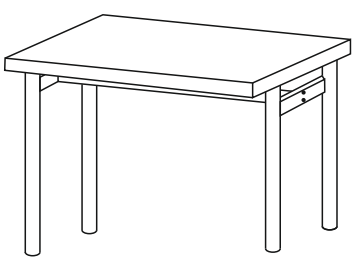
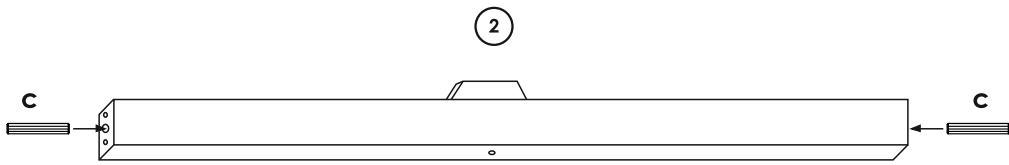
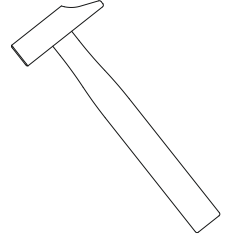
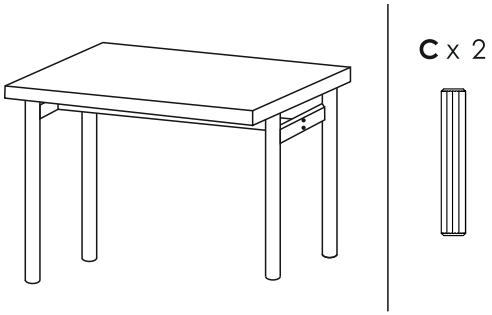


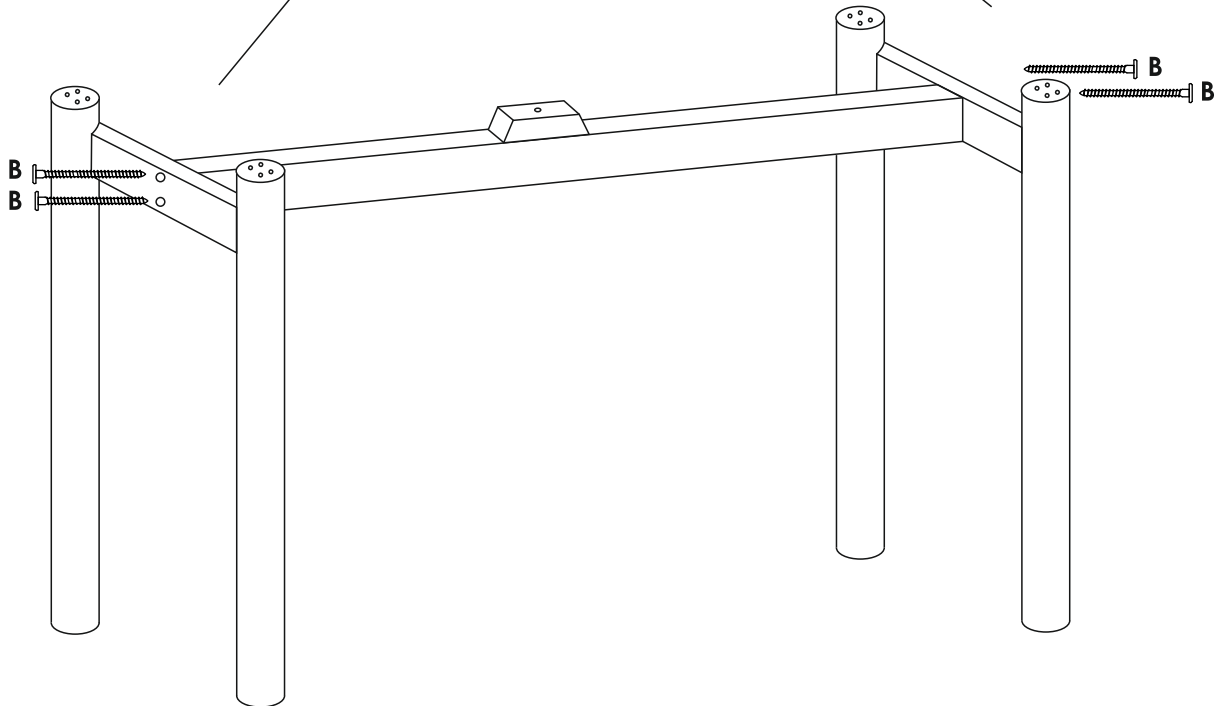
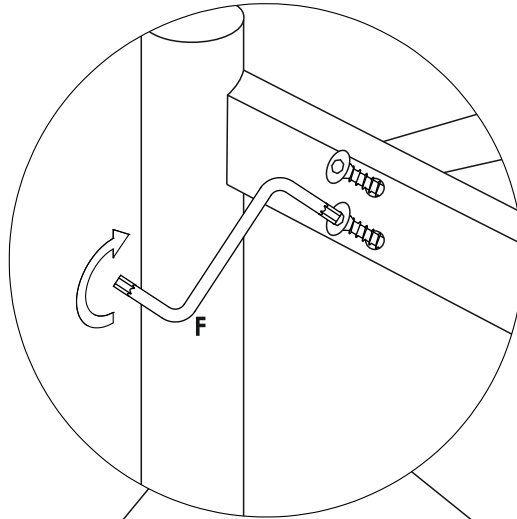
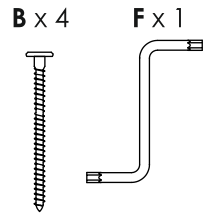
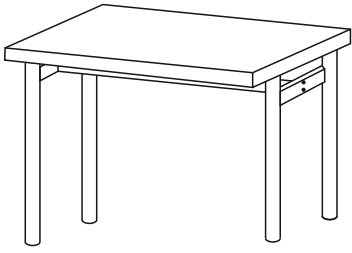
Ø 26

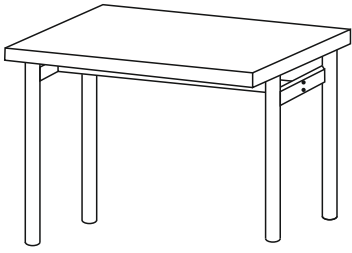


- 1 x ①
- 1 x ②
- 2 x ③

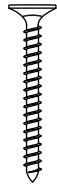




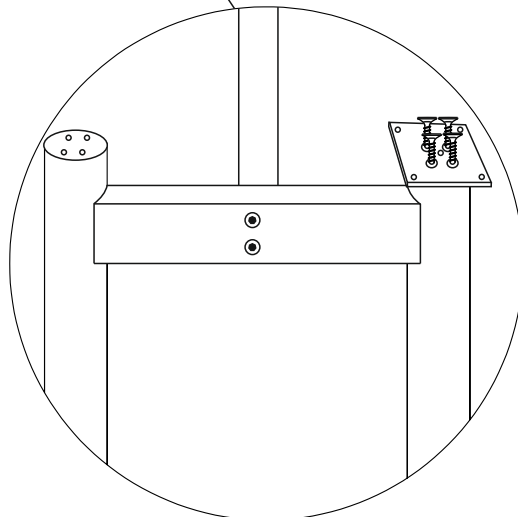
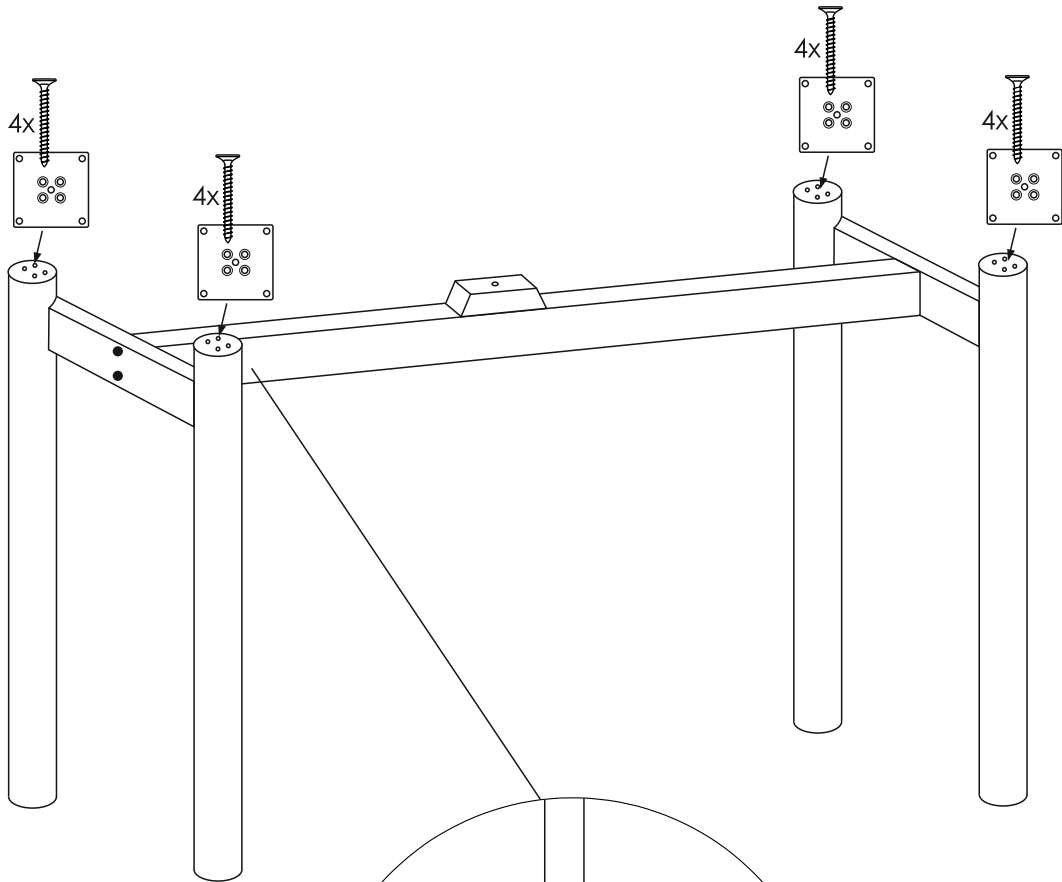
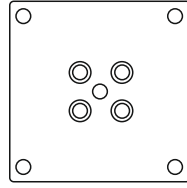


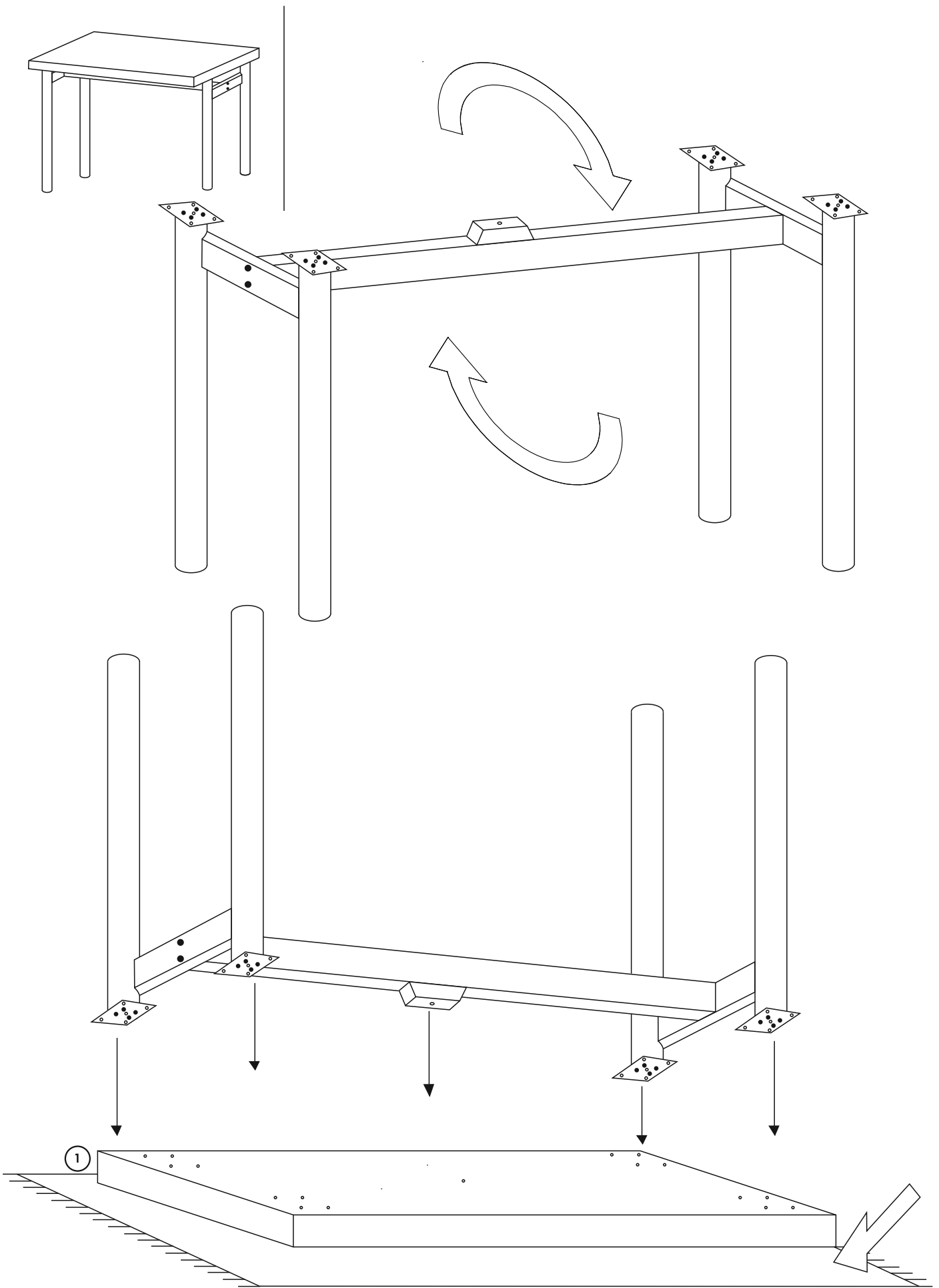


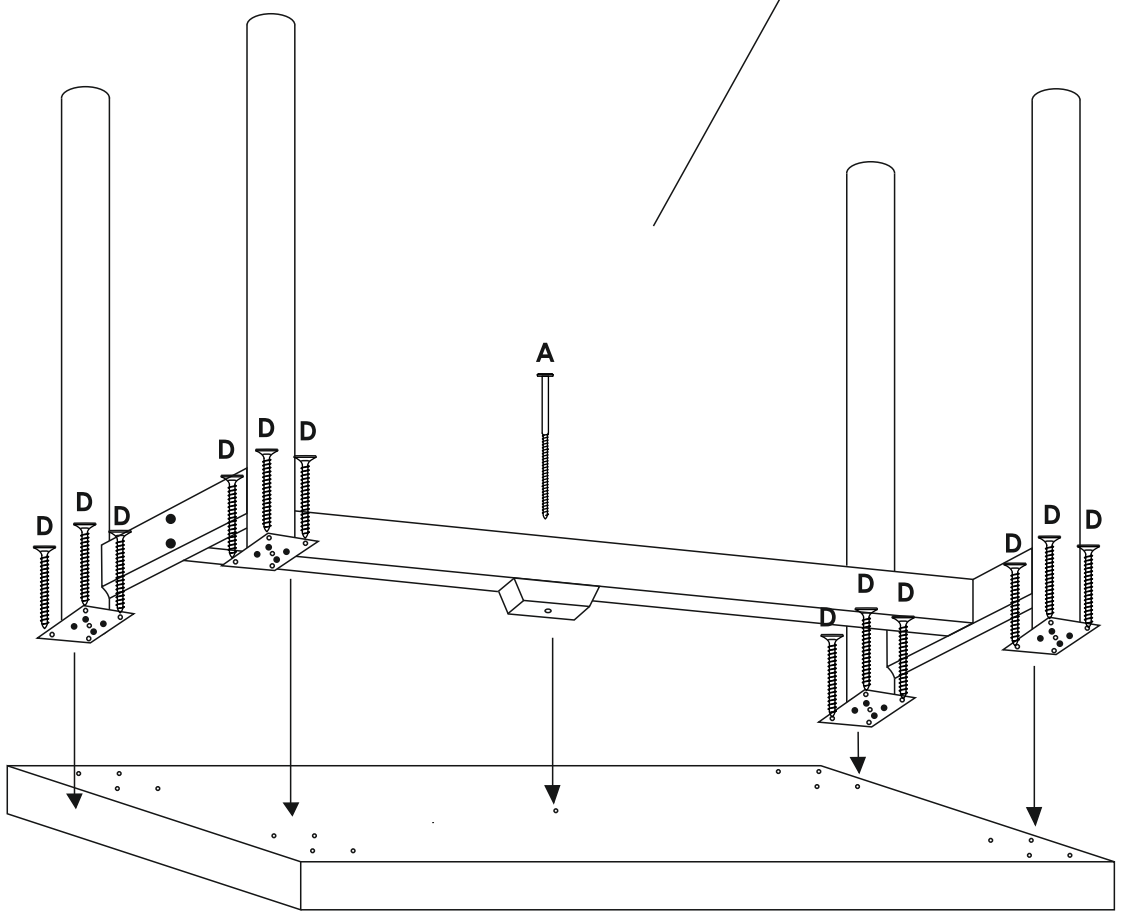
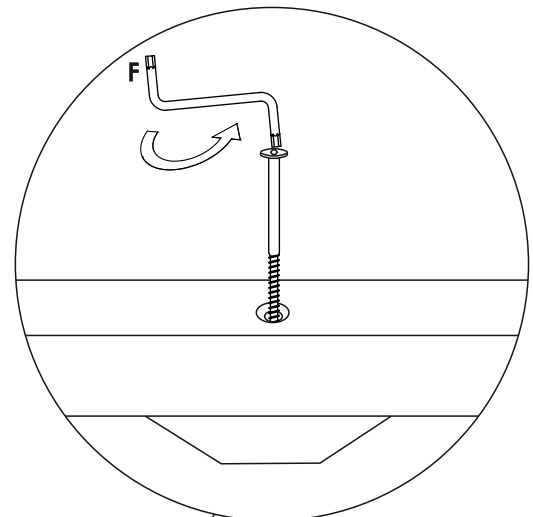
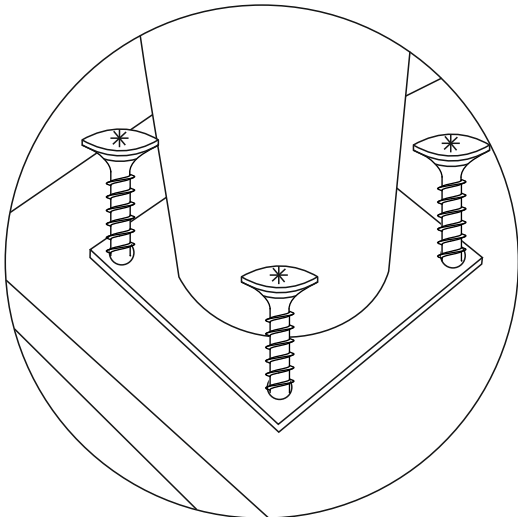
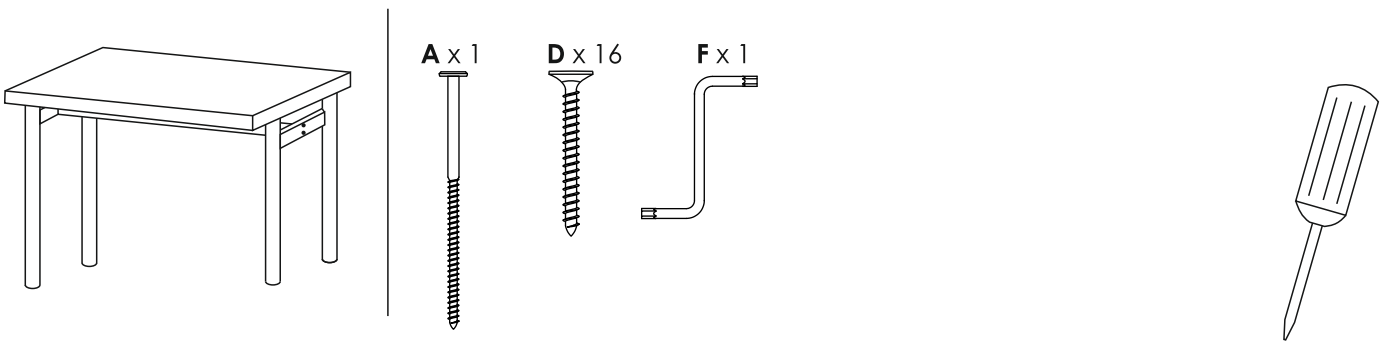
D x 16

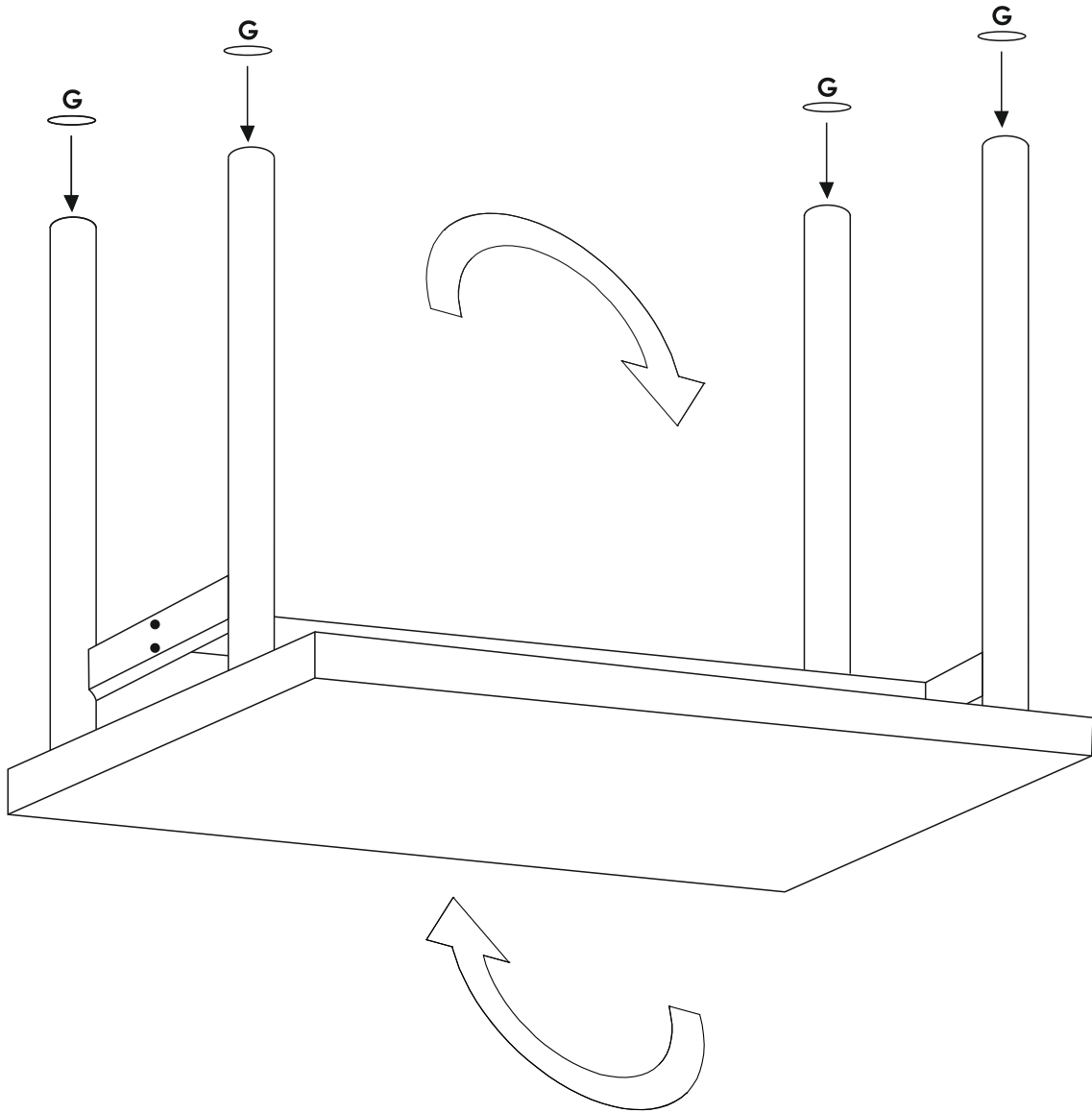
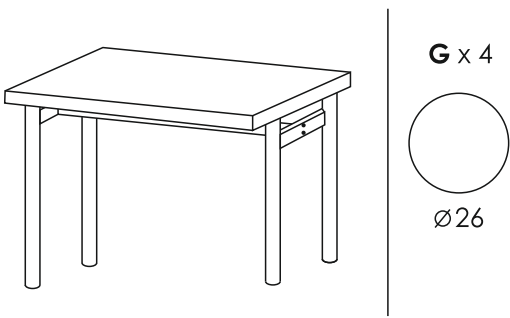


E x 4









For product care visit karupdesign.com/care

karup

DESIGN

Share your moments **#karupdesign #karuplifestyle**

karupdesign.com